

Sellos Mecánicos
Garnitures Mécaniques
Mechanical Seals
Gleitringdichtungen

119 KU



Sello mecánico de fuelle, no equilibrado, muelle simple, sentido de rotación independiente.
Garniture mécanique á soufflet, non équilibrée, ressort simple, sens de rotation indépendant.
Bellows mechanical seal, unbalanced, single spring, independent on direction of rotation.
Rollbalgdichtung, nicht entlastet, einfache Feder, drehrichtungsunabhängig.

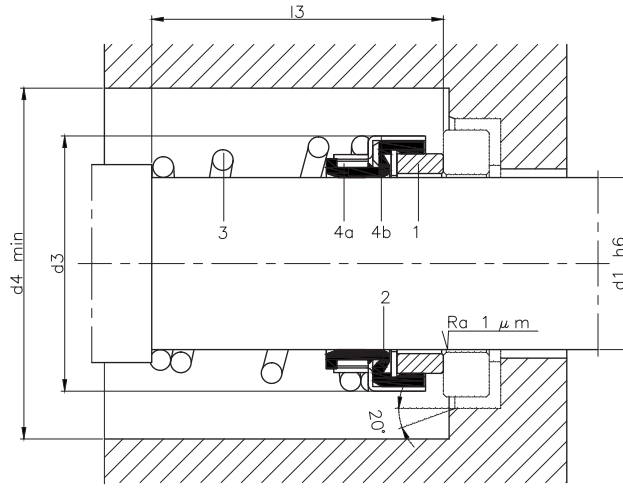
TABLA DIMENSIONAL (Dimensiones en mm. sujetas a variaciones o modificaciones)

TABLEAU DIMENSIONNEL (Dimensions en mm. sujettes à variations ou modifications)

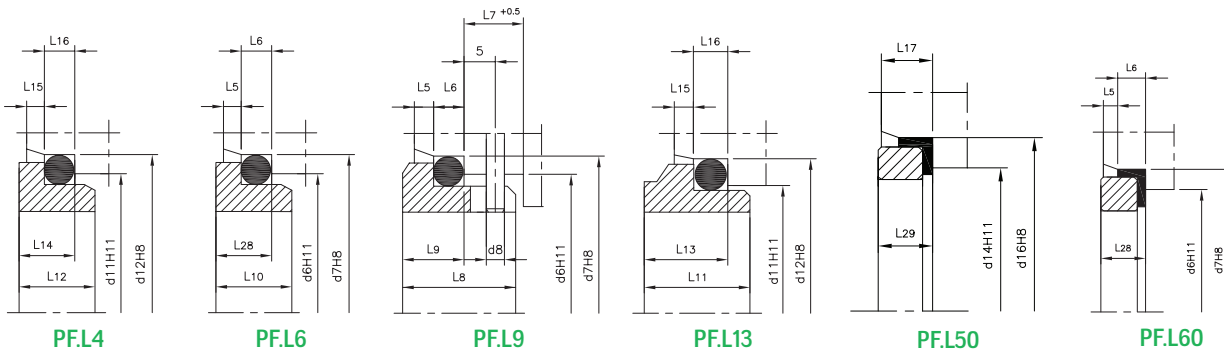
Ref.	d ₁	d ₃	d ₄	d ₆	d ₇	d ₈	d ₁₁	d ₁₂	d ₁₄	d ₁₆	l ₃	l ₅	l ₆	l ₇	l ₈	l ₉	l ₁₀	l ₁₁	l ₁₂	l ₁₃	l ₁₄	l ₁₅	l ₁₆	l ₁₇	l ₂₈	l ₂₉
10	10	19.6	24.6	17	21	3	15.5	19.2	11.0	24.60	25.9	1.5	4	8.5	17.5	10.0	7.5	-	7.5	-	6.6	1.2	3.8	7.5	6.6	9.0
12	12	21.6	26.6	19	23	3	17.5	21.6	13.5	27.80	25.9	1.5	4	8.5	17.5	10.0	7.5	-	6.5	-	5.6	1.2	3.8	7.5	6.6	9.0
14	14	24.0	29.0	21	25	3	20.5	24.6	17.0	30.95	28.4	1.5	4	8.5	17.5	10.0	7.5	-	6.5	-	5.6	1.2	3.8	9.0	6.6	10.5
15	15	25.0	30.0	-	-	-	20.5	24.6	17.0	30.95	-	-	-	-	-	-	-	-	7.5	-	6.6	1.2	3.8	9.0	-	10.5
16	16	26.5	31.5	23	27	3	22.0	28.0	17.0	30.95	28.4	1.5	4	8.5	17.5	10.0	7.5	-	8.5	-	7.5	1.5	5.0	9.0	6.6	10.5
18	18	29.0	34.0	27	33	3	24.0	30.0	20.0	34.15	30.0	2.0	5	9.0	19.5	11.5	8.5	12.5	9.0	10.0	8.0	1.5	5.0	9.0	7.5	10.5
20	20	31.5	36.5	29	35	3	29.5	35.0	21.5	35.70	30.0	2.0	5	9.0	19.5	11.5	8.5	12.5	8.5	9.5	7.5	1.5	5.0	9.0	7.5	10.5
22	22	33.0	38.0	31	37	3	29.5	35.0	23.0	37.30	30.0	2.0	5	9.0	19.5	11.5	8.5	12.5	8.5	9.5	7.5	1.5	5.0	9.0	7.5	10.5
24	24	37.0	42.0	33	39	3	32.0	38.0	26.5	40.50	32.5	2.0	5	9.0	19.5	11.5	8.5	12.5	8.5	9.5	7.5	1.5	5.0	9.0	7.5	10.5
25	25	38.0	43.0	34	40	3	32.0	38.0	26.5	40.50	32.5	2.0	5	9.0	19.5	11.5	8.5	12.5	8.5	9.5	7.5	1.5	5.0	9.0	7.5	10.5
28	28	41.0	46.0	37	43	3	36.0	42.0	29.5	47.65	35.0	2.0	5	9.0	19.5	11.5	8.5	14.0	10.0	11.0	9.0	1.5	5.0	10.5	7.5	12.0
30	30	43.0	48.0	39	45	3	39.2	45.0	32.5	50.80	35.0	2.0	5	9.0	19.5	11.5	8.5	14.0	11.5	11.0	10.5	1.5	5.0	10.5	7.5	12.0
32	32	45.0	50.0	42	48	3	42.2	48.0	32.5	50.80	35.0	2.0	5	9.0	19.5	11.5	8.5	14.0	11.5	11.0	10.5	1.5	5.0	10.5	7.5	12.0
33	33	46.0	51.0	42	48	3	44.2	50.0	36.5	54.00	35.0	2.0	5	9.0	19.5	11.5	8.5	14.5	12.0	11.5	11.0	1.5	5.0	10.5	7.5	12.0
35	35	48.0	53.0	44	50	3	46.2	52.0	36.5	54.00	35.0	2.0	5	9.0	19.5	11.5	8.5	14.5	12.0	11.5	11.0	1.5	5.0	10.5	7.5	12.0
38	38	52.5	57.5	49	56	4	49.2	55.0	39.5	57.15	36.0	2.0	6	9.0	22.0	14.0	10.0	14.5	11.3	11.5	10.3	1.5	5.0	10.5	9.0	12.0
40	40	55.5	60.5	51	58	4	52.2	58.0	42.5	60.35	36.0	2.0	6	9.0	22.0	14.0	10.0	14.5	11.8	11.5	10.8	1.5	5.0	10.5	9.0	12.0
43	43	58.5	63.5	54	61	4	53.3	62.0	46.0	63.50	36.0	2.0	6	9.0	22.0	14.0	10.0	17.0	13.2	14.3	12.0	2.0	6.0	10.5	9.0	12.0
45	45	60.5	65.5	56	63	4	55.3	64.0	46.0	63.50	36.0	2.0	6	9.0	22.0	14.0	10.0	17.0	12.8	14.3	11.6	2.0	6.0	10.5	9.0	12.0
48	48	64.0	69.0	59	66	4	59.7	68.4	49.0	66.70	36.0	2.0	6	9.0	22.0	14.0	10.0	17.0	12.8	14.3	11.6	2.0	6.0	10.5	9.0	12.0
50	50	66.0	71.0	62	70	4	60.8	69.3	52.0	69.85	38.0	2.5	6	9.0	23.0	15.0	10.5	17.0	12.8	14.3	11.6	2.0	6.0	12.0	9.5	13.5
53	53	69.0	74.0	65	73	4	63.8	72.3	55.5	73.05	36.5	2.5	6	9.0	23.0	15.0	12.0	17.0	13.5	14.3	12.3	2.0	6.0	12.0	11.0	13.5
55	55	71.0	76.0	67	75	4	66.5	75.4	58.5	76.20	36.5	2.5	6	9.0	23.0	15.0	12.0	18.0	14.5	15.3	13.3	2.0	6.0	12.0	11.0	13.5
58	58	76.0	81.0	70	78	4	69.5	78.4	61.5	79.40	41.5	2.5	6	9.0	23.0	15.0	12.0	18.0	14.5	15.3	13.3	2.0	6.0	12.0	11.0	13.5
60	60	78.0	83.0	72	80	4	71.5	80.4	61.5	79.40	41.5	2.5	6	9.0	23.0	15.0	12.0	18.0	14.5	15.3	13.3	2.0	6.0	12.0	11.0	13.5
63	63	82.0	87.0	75	83	-	-	-	-	-	41.5	2.5	6	-	-	-	-	18.0	-	15.3	-	2.0	-	-	-	-
65	65	84.0	89.0	77	85	4	76.5	85.4	68.0	92.10	41.5	2.5	6	9.0	23.0	15.0	12.0	18.0	14.2	15.3	13.0	2.0	6.0	14.5	11.0	16.0
68	68	87.0	92.0	81	90	4	82.7	91.5	71.0	95.25	41.2	2.5	7	9.0	26.0	18.0	12.5	19.0	14.9	16.0	13.7	2.0	6.0	14.5	11.3	16.0
70	70	89.0	94.0	83	92	4	83.0	92.0	71.0	95.25	48.7	2.5	7	9.0	26.0	18.0	12.5	18.0	14.2	15.3	13.0	2.0	6.0	14.5	11.3	16.0
75	75	95.0	100.0	88	97	4	90.2	99.0	77.5	101.60	48.7	2.5	7	9.0	26.0	18.0	12.5	18.0	15.2	15.3	14.0	2.0	6.0	14.5	11.3	16.0
80	80	101.5	106.5	95	105	4	95.2	104.0	84.0	114.30	48.0	3.0	7	9.0	26.2	18.2	13.0	19.0	16.2	16.3	15.0	2.0	6.0	18.5	14.0	20.0
85	85	-	-	100	110	4	100.2	109.0	87.0	117.50	46.0	3.0	7	9.0	26.2	18.2	15.0	19.0	16.0	16.3	14.8	2.0	6.0	18.5	14.0	20.0
90	90	111.5	116.5	105	115	4	105.2	114.0	93.5	123.85	51.0	3.0	7	9.0	26.2	18.2	15.0	19.0	16.0	16.3	14.8	2.0	6.0	18.5	14.0	20.0
95	95	-	-	110	120	4	111.6	120.3	96.5	127.00	51.0	3.0	7	9.0	25.2	17.2	15.0	20.0	17.0	17.3	15.8	2.0	6.0	18.5	14.0	20.0
100	100	122.5	127.5	115	125	4	114.5	123.3	103.0	133.35	51.0	3.0	7	9.0	25.2	17.2	15.0	20.0	17.0	17.3	15.8	2.0	6.0	18.5	14.0	20.0

DIMENSIONS TABLE (Measures in mm. subject to change)

TABELLE DER ABMESSUNGEN (In mm. Abweichungen oder Änderungen vorbehalten)



Tipos de Partes Fijas / Profils de Grains Fixes / Types of Stationary Seat / Typen stationärer Teile



LÍMITES OPERATIVOS / LIMITES D'UTILISATION / OPERATING LIMITS / EINSATZGRENZEN

- $d_1 = 10 \div 100 \text{ mm}$
- $p/d = 12 \text{ Kg/cm}^2$
- $v/g = 10 \text{ m/s}$
- $t = -20 \div +200^\circ\text{C}$

Los límites operativos vienen condicionados por el factor PV
 Les limites d'utilisation ci-dessus peuvent varier en fonction du facteur PV
 The operating limits depend on the PV factor
 Die Einsatzgrenzen werden durch den DG-Faktor festgelegt

COMPONENTES / CONSTRUCTION / COMPONENTS / KOMPONENTEN

- 1 Cara de roce rotante / Grain mobile / Rotative face / Rotierende Gleitfläche
- 2 Fuelle / Soufflet / Bellows / Rollbalg
- 3 Muelle / Ressort / Spring / Feder
- 4a Anillo de retención / Anneau de blocage / Ring retainer / Dichtungsring
- 4b Armadura metálica / Corps / Metal frame / Metallgestell

MATERIALES / MATÉRIAUX / MATERIALS / MATERIALIEN

- | | | |
|-------|-------|-------|
| BQEFF | BVEFF | QQEFF |
| BQPFF | BVPFF | QQPFF |
| BQVFF | BVVFF | QQVFF |

Existen otras combinaciones de materiales
 Il existe d'autres combinaisons de matériaux
 Available in other materials
 Es gibt andere Materialkombinationen